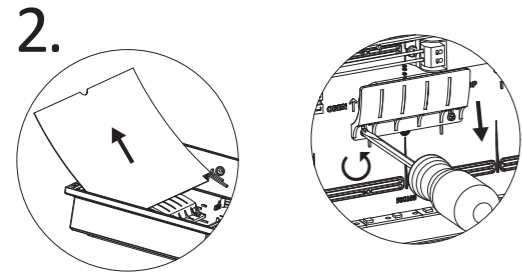
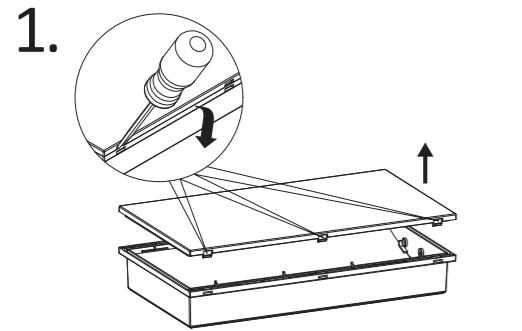
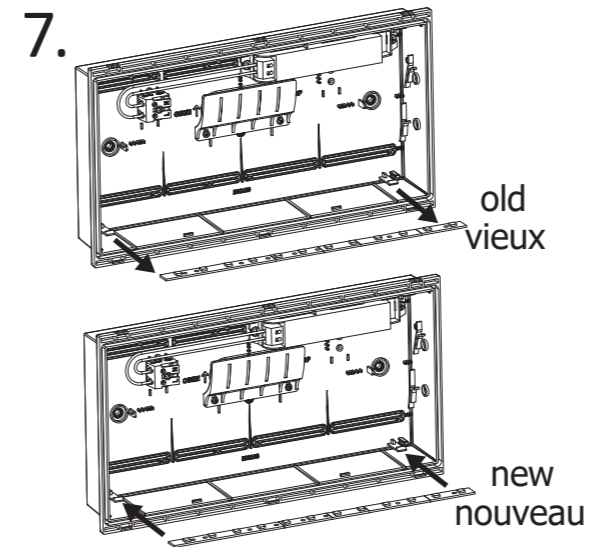
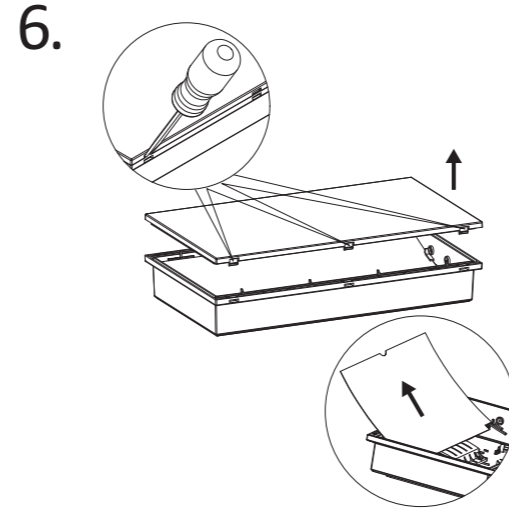
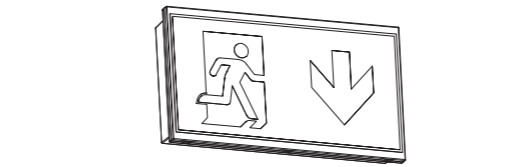
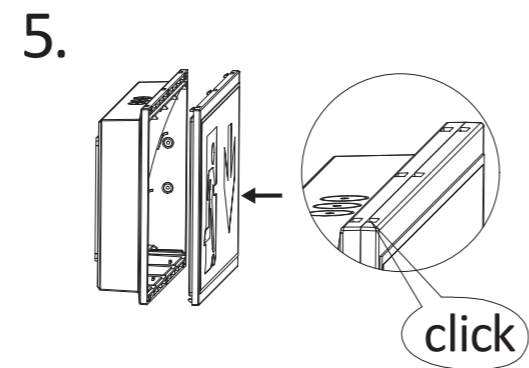
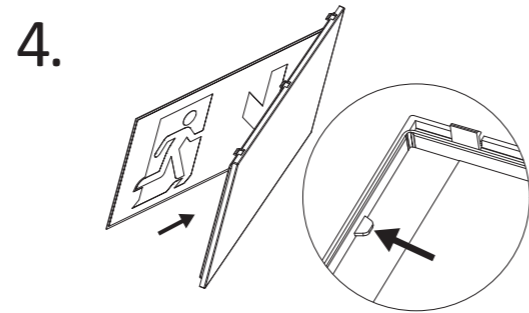
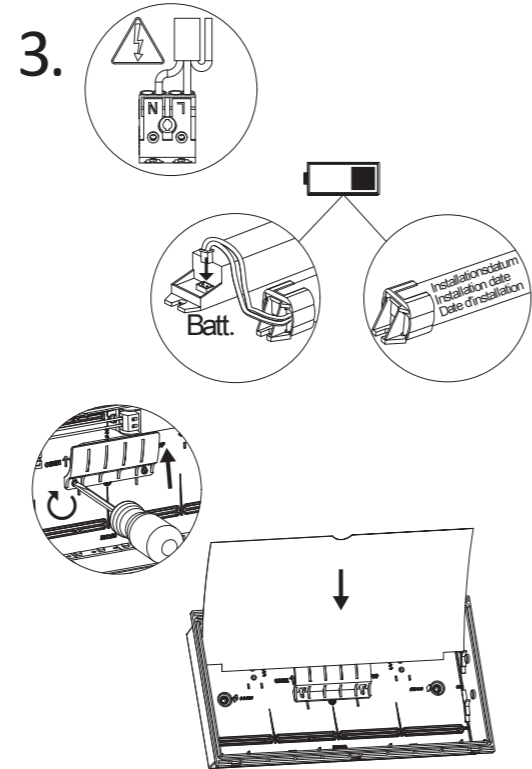
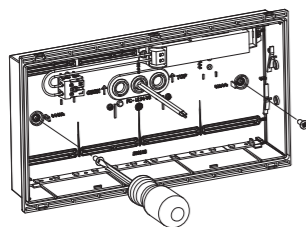


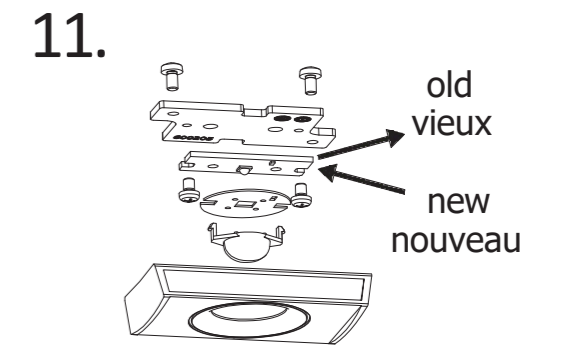
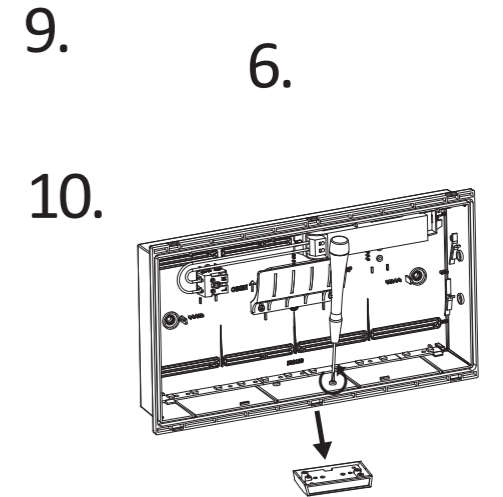
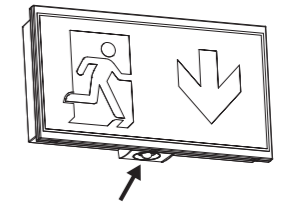
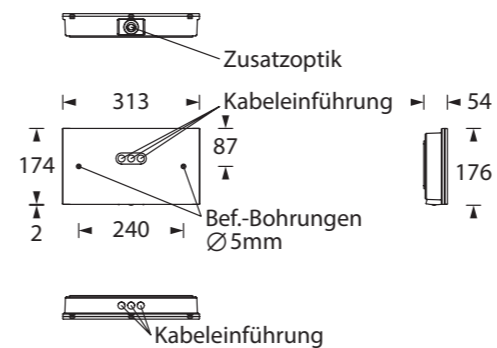
Art.-Nr./Item no./N° d'Art. 670543



min. 100mm



8. 8. → 7.



12. 11. → 9.

<div><span><span> </span><span> </span></span><span><span> </span><span> </span></span></div> <div><div><span><span> </span><span> </span></span><span><span> </span><span> </span></span></div></div> <div><b>Kombinierte Rettungszeichen- und Sicherheitsleuchte für Wandmontage</b></div>
Diese Anleitung richtet sich ausschließlich an den Elektrofachmann bzw. das ausführende Installationsunternehmen. Bei Installation der Einzelbatterie-Variante zusätzliche Instruktion beachten.

**Allgemeine Sicherheitshinweise**

Bei der Installation und bei Arbeiten an der Notleuchte sind die notwendigen Sicherheits- und Unfallverhütungsvorschriften, die allgemein anerkannten Regeln der Technik sowie die nachfolgenden Sicherheitshinweise einzuhalten. Insbesondere ist die Leuchte dazu spannungsfrei zu schalten, wobei zu berücksichtigen ist, dass bei Netzlichtbetrieb und Notlichtbetrieb (Netzausfall) unterschiedliche Versorgungsspannungen anstehen können.

**Leuchtenausführungen mit Überwachungsbaustein**

Bei Leuchtenausführungen mit Überwachungsbaustein zur Leuchten-Einzelüberwachung, sind die Einstellungen der Leuchtenadressen sowie zusätzliche Funktionen entsprechend den Bildern und Angaben auf dem Überwachungsbaustein bzw. in der beiliegenden Einstellungsanleitung vorzunehmen.

**Einzelbatterie-Leuchten**

Bei Einzelbatterie-Leuchten ist darauf zu achten, dass die Batterie auszutauschen ist, wenn die Leuchte trotz korrekter Ladung der Batterie nicht mehr die erforderliche Brenndauer erreicht.

**Entsorgung**

Bei der Entsorgung von Leuchten sind die gültigen Vorschriften des ElektroG für Entsorgung und Recycling einzuhalten.

**Ersatzteile**

Um die Nenndaten der Leuchte sicherzustellen, sind insbesondere bei Leuchtmittel, Elektronik-Komponenten und ggf. Akkumulatoren nur Original-Ersatzteile einzusetzen!

**Achtung**

Bei Schäden, die durch Nichtbeachtung der Anleitung verursacht werden, erlischt der Garantieanspruch. Für Folgeschäden, die daraus resultieren, übernehmen wir keine Haftung. Diese Bedienungsanleitung ist vor Inbetriebnahme des Produktes genauestens durchzulesen.

*Technische Änderungen vorbehalten!*

<div><span><span> </span><span> </span></span><span><span> </span><span> </span></span></div> <div><div><span><span> </span><span> </span></span><span><span> </span><span> </span></span></div></div> <div><b>Luminaire de signalisation et de sécurit’ combiné pour montage au mur</b></div>
Cette notice s’adresse exclusivement à l’électricien spécialisé ou à l’entreprise en charge de l’installation. Respecter les instructions supplémentaires lors de l’installation de la variante de bloc autonome.

<div><span><span> </span><span> </span></span><span><span> </span><span> </span></span></div> <div><div><span><span> </span><span> </span></span><span><span> </span><span> </span></span></div></div> <div><b>Consignes générales de sécurité</b></div>
Lors de l’installation et de travaux sur la lampe d’urgence, les consignes nécessaires de sécurité et de prévention des accidents, les règles générales de la technique ainsi que les consignes de sécurité suivantes doivent être respectées. Mettre en particulier la lampe hors tension tout en tenant compte du fait que différentes tensions d’alimentation peuvent être générées lors du fonctionnement de la lumière secteur et de la lumière d’urgence (panne de secteur).

<div><span><span> </span><span> </span></span><span><span> </span><span> </span></span></div> <div><div><span><span> </span><span> </span></span><span><span> </span><span> </span></span></div></div> <div><b>Configurations de lampes avec bloc de surveillance</b></div>
Sur les configurations de lampes avec bloc de surveillance pour la surveillance individuelle des lampes, effectuer les réglages des adresses de lampes et des fonctions supplémentaires tel illustré sur les figures et les indications du bloc de surveillance et/ou des instructions de réglage fournies.

<div><span><span> </span><span> </span></span><span><span> </span><span> </span></span></div> <div><div><span><span> </span><span> </span></span><span><span> </span><span> </span></span></div></div> <div><b>Lampes à bloc autonome</b></div>
Veiller, sur les lampes à bloc autonome, à remplacer le bloc si la lampe n’atteint plus la durée d’éclairage requise bien que le bloc soit chargé corectement.

<div><span><span> </span><span> </span></span><span><span> </span><span> </span></span></div> <div><div><span><span> </span><span> </span></span><span><span> </span><span> </span></span></div></div> <div><b>Élimination</b></div>
Pour l’ <span>élimination</span> des lampes, respecter les prescriptions en vigueur de la loi électrique sur l’ <span>élimination</span> et le recyclage.

<div><span><span> </span><span> </span></span><span><span> </span><span> </span></span></div> <div><div><span><span> </span><span> </span></span><span><span> </span><span> </span></span></div></div> <div><b>Pièces de rechange</b></div>
Pour garantir les données nominales de la lampe, utiliser exclusivement les pièces de rechange originales, en particulier pour les sources lumineuses, les composants électriques et, le cas échéant, les accumulateurs <span> </span> !

<div><span><span> </span><span> </span></span><span><span> </span><span> </span></span></div> <div><div><span><span> </span><span> </span></span><span><span> </span><span> </span></span></div></div> <div><b>Attention</b></div>
En cas de dommages dus au non respect des instructions, toute demande de garantie est annulée. Nous ne saurions être responsable des dommages consécutifs en résultant. Lire l’intégralité de cette notice d’utilisation avant de mettre le produit en service.

*Sous réserve de modifications techniques !*

<div><span><span> </span><span> </span></span><span><span> </span><span> </span></span></div> <div><div><span><span> </span><span> </span></span><span><span> </span><span> </span></span></div></div> <div><b>Combined exit sign and safety luminaire for wall mounting</b></div>
This is a professional manual for certified electricians and professional installation companies only. When installing the self contained version follow the additional instructions.

**General safety notices**

Relevant safety and accident prevention measures, accepted technology regulations and the following safety notices must be observed when installing or carrying out any work on the safety light. In particular, the lamp must be disconnected from the mains and special care must be taken, as it will still be live from the backup system.

<div><span><span> </span><span> </span></span><span><span> </span><span> </span></span></div> <div><div><span><span> </span><span> </span></span><span><span> </span><span> </span></span></div></div> <div><b>Lamp models with monitoring module</b></div>
For lamp models with monitoring module for individual lamp monitoring, the configuration of individual lamp addresses and additional functions must be carried out in accordance with the images and data provided on the monitoring module or in the enclosed alignment instructions.

**Self contained luminaires**

For self contained luminaires the replacement of the battery is needed when the battery no longer meets its rated duration of operation after the corresponding recharge period.

<div><span><span> </span><span> </span></span><span><span> </span><span> </span></span></div> <div><div><span><span> </span><span> </span></span><span><span> </span><span> </span></span></div></div> <div><b>Disposal</b></div>
Please observe current regulations of ElektroG for the disposal and recycling of lamps.

**Spare parts**

Only use original parts for the replacement of illuminants, electronic components and accumulators (where applicable) to ensure compliance with nominal data!

**Attention**

Any damage incurred due to non-compliance with this manual will not be covered by the warranty. We accept no liability for consequential damages incurred due to non-compliance. Make sure to read this manual prior to commissioning the product.

*Subject to technical changes without notice!*

<div><span><span> </span><span> </span></span><span><span> </span><span> </span></span></div> <div><div><span><span> </span><span> </span></span><span><span> </span><span> </span></span></div></div> <div><b>Technische Daten</b></div>	
<div><b>Schutzart</b></div> <div><i>Protection class</i></div> <div><i>Indice de protection boîtier</i></div>	<div>IP 43</div>

<div><span><span> </span><span> </span></span><span><span> </span><span> </span></span></div> <div><div><span><span> </span><span> </span></span><span><span> </span><span> </span></span></div></div> <div><b>Technical specifications</b></div>		
<div><b>Schutzklasse</b></div> <div><i>Safety class</i></div> <div><i>Classe de protection</i></div>	<div>II / 230V</div>	<div>2 x 2,5 mm²</div>

<div><span><span> </span><span> </span></span><span><span> </span><span> </span></span></div> <div><div><span><span> </span><span> </span></span><span><span> </span><span> </span></span></div></div> <div><b>Abmessungen B x H x T</b></div>		
<div><i>Dimensions (WxHxD)</i></div> <div><i>Dimensions (LxHxP)</i></div>	<div>313 x 176 x 54 mm</div>	<div></div>

<div><span><span> </span><span> </span></span><span><span> </span><span> </span></span></div> <div><div><span><span> </span><span> </span></span><span><span> </span><span> </span></span></div></div> <div><b>Systemleuchten für Zentralversorgung Luminaire for CPS</b></div> <div><b>Luminaires de système d’alimentation centrale 230V</b></div>	
<div></div> <div><b>Rettungszeichen</b></div> <div><i>Exit sign</i></div> <div><i>Signal de secours</i></div>	<div></div> <div><b>Sicherheitsmodul</b></div> <div><i>Safety module</i></div> <div><i>Module de sécurité</i></div>

<div><span><span> </span><span> </span></span><span><span> </span><span> </span></span></div> <div><div><span><span> </span><span> </span></span><span><span> </span><span> </span></span></div></div> <div><b>Leuchtmittel</b></div> <div><i>Illuminants</i></div> <div><i>Source lumineuse</i></div>	
<div></div> <div>1,5W</div> <div>LED</div>	<div></div> <div>3W</div> <div>LED</div>
<div><span><span> </span><span> </span></span><span><span> </span><span> </span></span></div> <div><div><span><span> </span><span> </span></span><span><span> </span><span> </span></span></div></div> <div><b>Lichtstrom Netz</b></div> <div><i>Light current net</i></div> <div><i>Flux lumineux secteur</i></div>	
<div>190lm</div>	<div>190lm</div>

<div><span><span> </span><span> </span></span><span><span> </span><span> </span></span></div> <div><div><span><span> </span><span> </span></span><span><span> </span><span> </span></span></div></div> <div><b>Lichtstromverhältnis Not/Netz</b></div> <div><i>Luminous flux</i></div> <div><i>Emergency / Mains</i></div> <div><i>Intensité lumineuse</i></div> <div><i>Urgence / Secteur</i></div>	
<div>15–50% / 100%</div>	<div>100% / 0%</div>

<div><span><span> </span><span> </span></span><span><span> </span><span> </span></span></div> <div><div><span><span> </span><span> </span></span><span><span> </span><span> </span></span></div></div> <div><b>Netzanschlussleistung</b></div> <div><i>Power consumption</i></div> <div><i>Puissance du raccordement</i></div>	
<div>11VA</div>	<div>11VA</div>

<div><span><span> </span><span> </span></span><span><span> </span><span> </span></span></div> <div><div><span><span> </span><span> </span></span><span><span> </span><span> </span></span></div></div> <div><b>Batterie-Stromaufnahme</b></div> <div><i>Battery current input</i></div> <div><i>Consommation électrique du bloc</i></div>	
<div>27mA</div>	<div>27mA</div>

<div><span><span> </span><span> </span></span><span><span> </span><span> </span></span></div> <div><div><span><span> </span><span> </span></span><span><span> </span><span> </span></span></div></div> <div><b>Anschlussspannung</b></div> <div><i>Voltage supply</i></div> <div><i>Alimentation</i></div>	
<div>230V 50/60Hz /220V DC +25/-20%</div>	<div>230V 50/60Hz</div>

<div><span><span> </span><span> </span></span><span><span> </span><span> </span></span></div> <div><div><span><span> </span><span> </span></span><span><span> </span><span> </span></span></div></div> <div><b>Nennbetriebsdauer</b><sup>1) 2)</sup></div> <div><i>Rated duration</i><sup>1) 2)</sup></div> <div><i>La durée de fonctionnement nominale</i><sup>1) 2)</sup></div>	
<div>1h/3h</div>	<div>1h/3h</div>

<div><span><span> </span><span> </span></span><span><span> </span><span> </span></span></div> <div><div><span><span> </span><span> </span></span><span><span> </span><span> </span></span></div></div> <div><b>NiMh-Akku</b></div> <div><b>Battery NiMh 1h</b></div> <div><b>Battery NiMh 3h</b></div>	
<div>4,8V 0,8Ah</div> <div>4,8V 2,0Ah</div>	<div>4,8V 0,8Ah</div> <div>4,8V 2,0Ah</div>

<div><span><span> </span><span> </span></span><span><span> </span><span> </span></span></div> <div><div><span><span> </span><span> </span></span><span><span> </span><span> </span></span></div></div> <div><b>Temperaturbereich</b></div> <div><i>Temperature range</i></div> <div><i>Plage de température</i></div>	
<div>-10°C – +40°C</div>	<div>-10°C – +40°C</div>

<div><span><span> </span><span> </span></span><span><span> </span><span> </span></span></div> <div><div><span><span> </span><span> </span></span><span><span> </span><span> </span></span></div></div> <div><b>Bereitschaftsschaltung</b></div> <div><i>non maintained mode</i></div> <div><i>mode veille</i></div>
<div>-0°C – +35°C</div>

<div><span><span> </span><span> </span></span><span><span> </span><span> </span></span></div> <div><div><span><span> </span><span> </span></span><span><span> </span><span> </span></span></div></div> <div><b>Dauerschaltung</b></div> <div><i>maintained mode</i></div> <div><i>mode permanent</i></div>
<div>-5°C – +30°C</div>

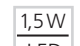

<div><span><span> </span><span> </span></span><span><span> </span><span> </span></span></div> <div><div><span><span> </span><span> </span></span><span><span> </span><span> </span></span></div></div> <div><b>Bitte auf dem dafür vorgesehenen Feld des Akkus das Installationsdatum vermerken.</b></div>
Bei Installation der Einzelbatterie-Variante zusätzliche Instruktion beachten.

<sup>1)</sup> Bitte auf dem dafür vorgesehenen Feld des Akkus das Installationsdatum vermerken.

<sup>2)</sup> Bei Installation der Einzelbatterie-Variante zusätzliche Instruktion beachten.

<div><span><span> </span><span> </span></span><span><span> </span><span> </span></span></div> <div><div><span><span> </span><span> </span></span><span><span> </span><span> </span></span></div></div> <div><b>Caractéristiques techniques</b></div>	
<div><b>Anschlussklemmen</b> (mm² für Doppelbelegung)</div> <div><i>Connecting terminals</i> (mm² for double assignment)</div> <div><i>Bornes de raccordement secteur</i> (mm² pour borniers doubles)</div>	<div>2 x 2,5 mm²</div>

<div><span><span> </span><span> </span></span><span><span> </span><span> </span></span></div> <div><div><span><span> </span><span> </span></span><span><span> </span><span> </span></span></div></div> <div><b>Einzelbatterieleuchten</b></div> <div><b>Self contained luminaire</b></div> <div><b>Lampe à bloc autonome</b></div> <div><b>230V</b></div>	
<div></div> <div><b>Rettungszeichen</b></div> <div><i>Exit sign</i></div> <div><i>Signal de secours</i></div>	<div></div> <div><b>Sicherheitsmodul</b></div> <div><i>Safety module</i></div> <div><i>Module de sécurité</i></div>

<div><span><span> </span><span> </span></span><span><span> </span><span> </span></span></div> <div><div><span><span> </span><span> </span></span><span><span> </span><span> </span></span></div></div> <div><b>Systemleuchten für Zentralversorgung Luminaire for CPS</b></div> <div><b>Luminaires de système d’alimentation centrale 230V</b></div>	
<div></div> <div><b>Rettungszeichen</b></div> <div><i>Exit sign</i></div> <div><i>Signal de secours</i></div>	<div></div> <div><b>Sicherheitsmodul</b></div> <div><i>Safety module</i></div> <div><i>Module de sécurité</i></div>

<div><span><span> </span><span> </span></span><span><span> </span><span> </span></span></div> <div><div><span><span> </span><span> </span></span><span><span> </span><span> </span></span></div></div> <div><b>Leuchtmittel</b></div> <div><i>Illuminants</i></div> <div><i>Source lumineuse</i></div>	
<div></div> <div>1,5W</div> <div>LED</div>	<div></div> <div>3W</div> <div>LED</div>
<div><span><span> </span><span> </span></span><span><span> </span><span> </span></span></div> <div><div><span><span> </span><span> </span></span><span><span> </span><span> </span></span></div></div> <div><b>Lichtstrom Netz</b></div> <div><i>Light current net</i></div> <div><i>Flux lumineux secteur</i></div>	
<div>190lm</div>	<div>190lm (Netz)</div> <div>190lm (Not)</div>

<div><span><span> </span><span> </span></span><span><span> </span><span> </span></span></div> <div><div><span><span> </span><span> </span></span><span><span> </span><span> </span></span></div></div> <div><b>Lichtstromverhältnis Not/Netz</b></div> <div><i>Luminous flux</i></div> <div><i>Emergency / Mains</i></div> <div><i>Intensité lumineuse</i></div> <div><i>Urgence / Secteur</i></div>	
<div>15–50% / 100%</div>	<div>100% / 0%</div>

<div><span><span> </span><span> </span></span><span><span> </span><span> </span></span></div> <div><div><span><span> </span><span> </span></span><span><span> </span><span> </span></span></div></div> <div><b>Netzanschlussleistung</b></div> <div><i>Power consumption</i></div> <div><i>Puissance du raccordement</i></div>	
<div>11VA</div>	<div>11VA</div>

<div><span><span> </span><span> </span></span><span><span> </span><span> </span></span></div> <div><div><span><span> </span><span> </span></span><span><span> </span><span> </span></span></div></div> <div><b>Batterie-Stromaufnahme</b></div> <div><i>Battery current input</i></div> <div><i>Consommation électrique du bloc</i></div>	
<div>27mA</div>	<div>27mA</div>

<div><span><span> </span><span> </span></span><span><span> </span><span> </span></span></div> <div><div><span><span> </span><span> </span></span><span><span> </span><span> </span></span></div></div> <div><b>Anschlussspannung</b></div> <div><i>Voltage supply</i></div> <div><i>Alimentation</i></div>	
<div>230V 50/60Hz /220V DC +25/-20%</div>	<div>230V 50/60Hz</div>

<div><span><span> </span><span> </span></span><span><span> </span><span> </span></span></div> <div><div><span><span> </span><span> </span></span><span><span> </span><span> </span></span></div></div> <div><b>Nennbetriebsdauer</b><sup>1) 2)</sup></div> <div><i>Rated duration</i><sup>1) 2)</sup></div> <div><i>La durée de fonctionnement nominale</i><sup>1) 2)</sup></div>	
<div>1h/3h</div>	<div>1h/3h</div>

<div><span><span> </span><span> </span></span><span><span> </span><span> </span></span></div> <div><div><span><span> </span><span> </span></span><span><span> </span><span> </span></span></div></div> <div><b>NiMh-Akku</b></div> <div><b>Battery NiMh 1h</b></div> <div><b>Battery NiMh 3h</b></div>	
<div>4,8V 0,8Ah</div> <div>4,8V 2,0Ah</div>	<div>4,8V 0,8Ah</div> <div>4,8V 2,0Ah</div>

<div><span><span> </span><span> </span></span><span><span> </span><span> </span></span></div> <div><div><span><span> </span><span> </span></span><span><span> </span><span> </span></span></div></div> <div><b>Temperaturbereich</b></div> <div><i>Temperature range</i></div> <div><i>Plage de température</i></div>	
<div>-10°C – +40°C</div>	<div>-10°C – +40°C</div>

<div><span><span> </span><span> </span></span><span><span> </span><span> </span></span></div> <div><div><span><span> </span><span> </span></span><span><span> </span><span> </span></span></div></div> <div><b>Bereitschaftsschaltung</b></div> <div><i>non maintained mode</i></div> <div><i>mode veille</i></div>
<div>-0°C – +35°C</div>

<div><span><span> </span><span> </span></span><span><span> </span><span> </span></span></div> <div><div><span><span> </span><span> </span></span><span><span> </span><span> </span></span></div></div> <div><b>Dauerschaltung</b></div> <div><i>maintained mode</i></div> <div><i>mode permanent</i></div>
<div>-5°C – +30°C</div>

<div><span><span> </span><span> </span></span><span><span> </span><span> </span></span></div> <div><div><span><span> </span><span> </span></span><span><span> </span><span> </span></span></div></div> <div><b>Bitte auf dem dafür vorgesehenen Feld des Akkus das Installationsdatum vermerken.</b></div>
Bei Installation der Einzelbatterie-Variante zusätzliche Instruktion beachten.

<sup>1)</sup> *Note down the installation date on the provided place of the battery.*

<sup>2)</sup> *When installing the self contained version follow the additional instructions.*

<sup>1)</sup> *Noter la date d’installation sur le champ de l’accu prévu à cet effet.*

<sup>2)</sup> *Respecter les instructions supplémentaires lors de l’installation de la variante de bloc autonome.*